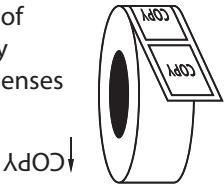
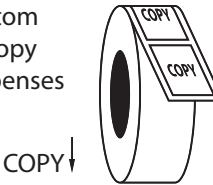
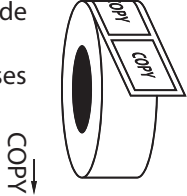
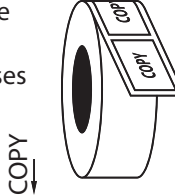
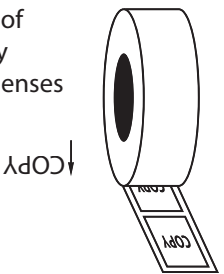
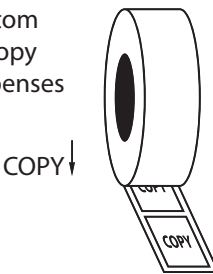
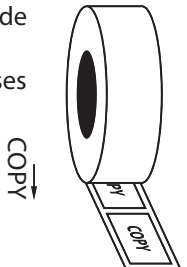
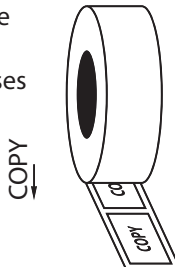


Label Copy Position Chart

Labels Wound Face Out

- | | |
|--|--|
| <p>1. Top of copy dispenses first</p>  | <p>2. Bottom of copy dispenses first</p>  |
| <p>3. Right side of copy dispenses first</p>  | <p>4. Left side of copy dispenses first</p>  |

Labels Wound Face In

- | | |
|--|--|
| <p>5. Top of copy dispenses first</p>  | <p>6. Bottom of copy dispenses first</p>  |
| <p>7. Right side of copy dispenses first</p>  | <p>8. Left side of copy dispenses first</p>  |